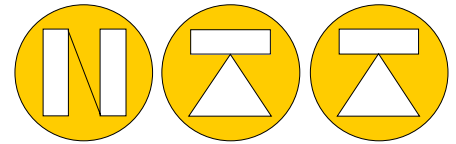




2019

New Dimensions 2019



NORDIC TRANSDUCER

# Compression Load Cell

## Type AC-3A (Former AC-1A)

15 - 50ton

75 -150 ton

Fully welded. Protected against humidity IP-69K (DIN40050-9)



Complies with 4000 divisions CE OIML-R60  
Fully welded. Protected against humidity IP-69 (DIN 40050-9)  
Manufactured complete in Stainless steel

**AC-3AI without top flange typical for test jobs**

**AC-3A/ANTIV-I with top flange for silo weighing !!**

Low profile Compression load cell with swivel and self-leveling top plate.  
Perfect solution for Hopper / Silo weighing job & for use in testing system



**PRODUCED BY SENSOCAR IN THE EU**

### AC-3A SPECIFICATIONS

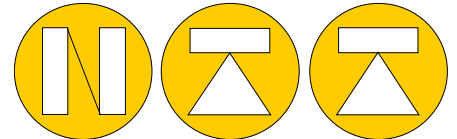
NOMINAL LOAD	15 - 20 - 25 - 30 - 35 - 40 - 50 - 75 - 100* 150* & 200* ton		
Produced according to:	OIML R60 Class C3 / C4		
Combined Error	< +/- 0.020%		
Non-Repeatability	< +/- 0.010%		
Zero Drift 30min.	< +/- 0.015%		
TEMPERATUR EFFECT 10°C			
on zero	< +/- 0.010 %		
on span	< +/- 0.010 %		
<b>Vmin</b>	Emax /10000		
NOMINAL SENSITIVITY+/-0.1%	2mV/Volt	a) minimum load	0%
INPUT RESISTANCE	800 Ohm +/-3 Ohm	b) service load	120%
OUTPUT RESISTANCE	700 Ohm +/- 3 Ohm	c) max. permissible load	150%
ZERO BALANCE	0.5%	d) breaking load	>300%
SUPPLY VOLTAGE N.10V	5 - 15 Volt	e) max. side load	12%
<b>Wiring:</b> Excitation+      Red Sense +          Yellow Excitation-      Black Sense -          Blue Output+          Green Output-          White  Sense wires optional !		f) max. dynamic load	50%
		DISPLACEMENT N.LOAD	0.3mm
		TEMP. RANGE OIML R60	- 10/+40 °C
		PROTECTION CLASS	IP68
		CELL MATERIAL	Stainless Steel
		CABLE Ø 5.5mm length	15 meter

**Nordic Transducer**

All specifications subject to change without notice

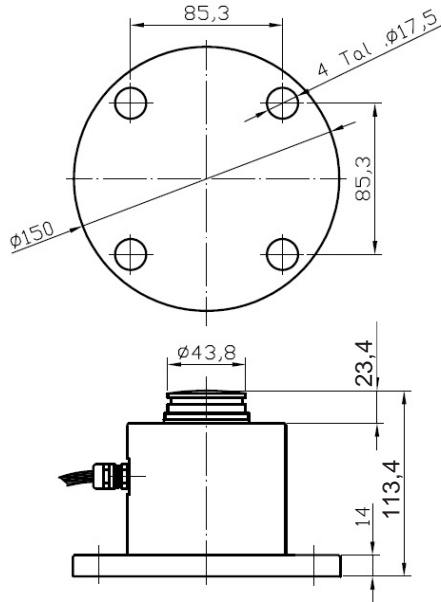
\*CE test certificate only available

# Type AC-3A

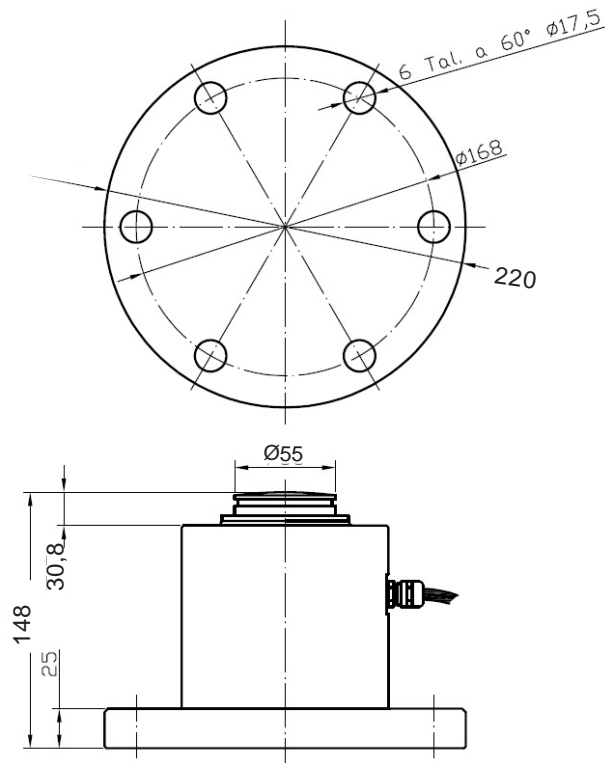


**NORDIC TRANSDUCER**

Dimensions AC-3A in mm (former AC-1A)

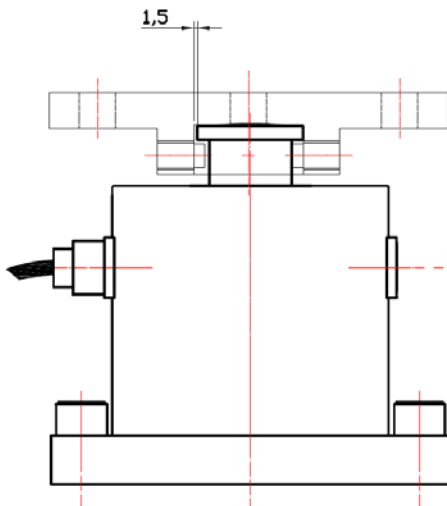


AC-3A 15-50t



AC-3A 75-150t

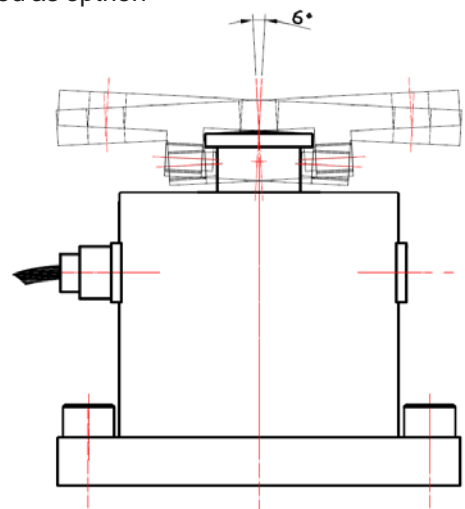
Mounting fittings can be supplied as option



15-50t

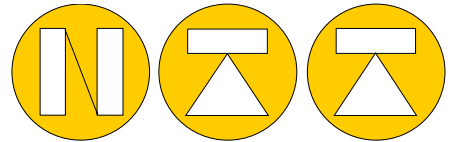
Displacement vertical maximum  
Maximum horizontal load  
Displacement horizontal maximum

2mm  
21kN  
3mm



75 - 150t

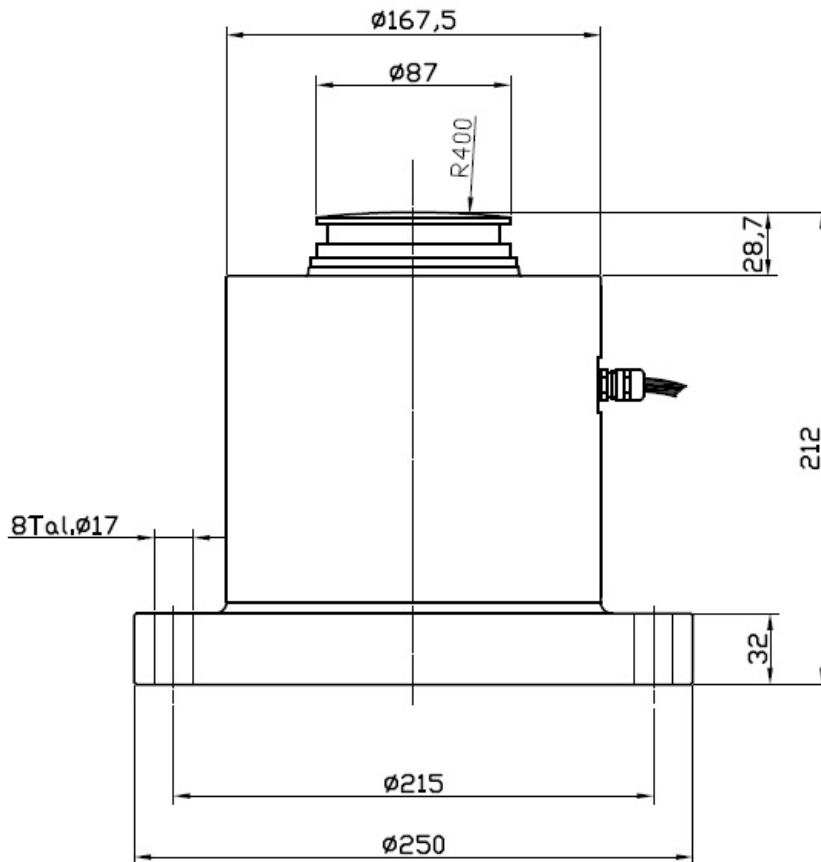
2mm  
32kN  
3mm



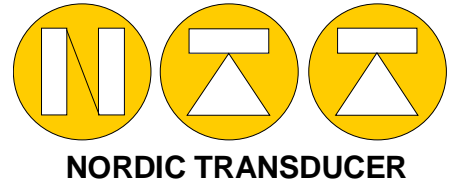
**NORDIC TRANSDUCER**



Fully welded. Protected against humidity IP-69K (DIN40050-9)



AC-3A 200 ton



# Type AC-3A/ANTIV-I

15 - 50ton  
75 -150 ton

Compression Load Cell with build in Top flange for silos with limited horizontal movements.

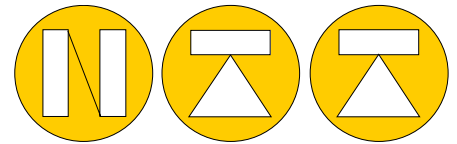
At larger movements and larger side forces please look at ANTIV-I/AC-2A



Fully welded. Protected against humidity IP-69K (DIN40050-9)



New Dimensions 2019

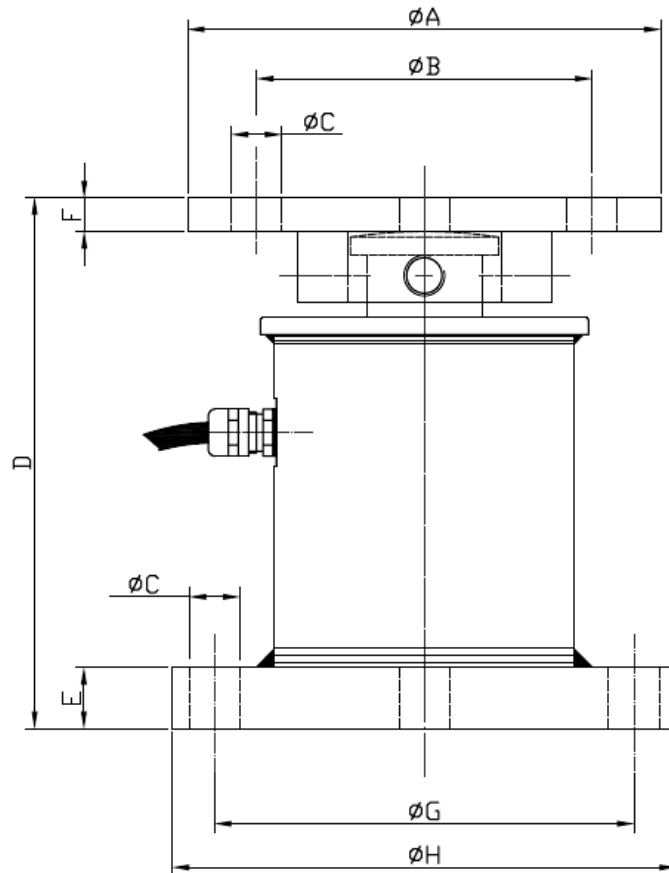


NORDIC TRANSDUCER

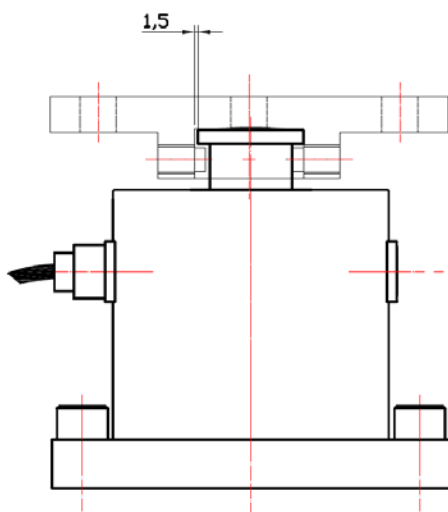
# Type AC-3A/Antiv-I

Fully welded. Protected against humidity IP-69K (DIN40050-9)

Dimensions: mm



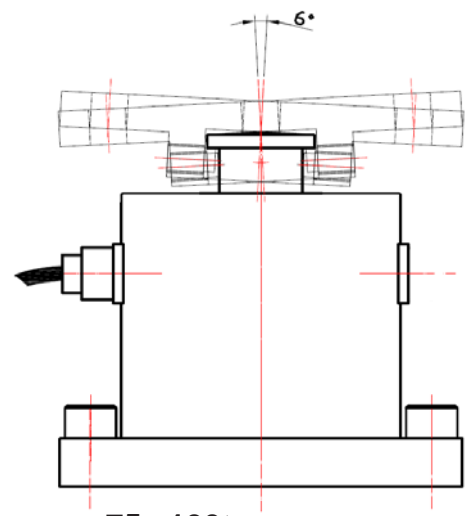
Capacity ton	A	B	C	D	E	F	G	H
15-50 t	Ø130	Ø73.5	Ø17.5x4	130,8	14	14	Ø85.3	Ø150
75 -100 t	Ø180	Ø150	Ø17.5x6	183	25	27	Ø180	Ø220



**15-50t**

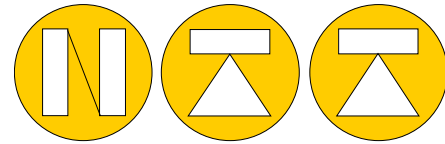
Maximum lifting force  
 Displacement vertical maximum  
 Maximum horizontal load  
 Displacement horizontal maximum

39kN  
 2mm  
 21kN  
 3mm



**75 - 100t**

73kN  
 2mm  
 32kN  
 3mm

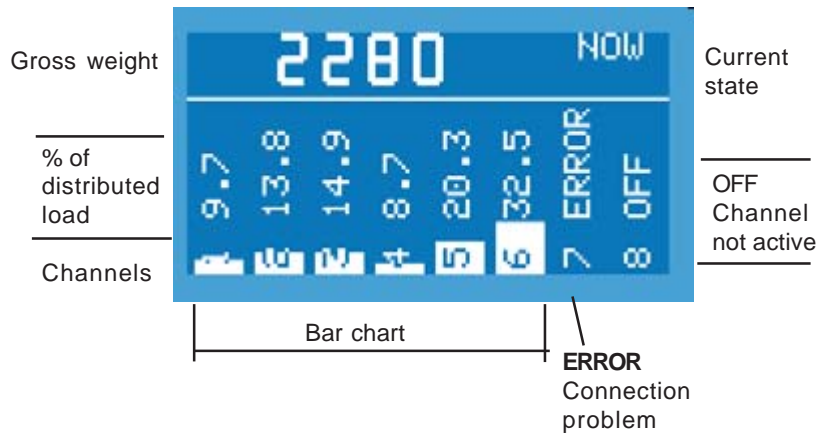


**NORDIC TRANSDUCER**



**LOAD DISTRIBUTION**

The **TLM8** displays graphically the current load distribution on each active channel.



**TML8** Super modern instruments for hopper/siloweighing with buielt monetoring and direct management of the individual load cells connected

**12 different communication ports as follows:**

- RS485 +Analog
- CAN Open
- DeviceNet
- CC-Link
- PROFIBUS DP
- Modbus/TCP
- Ethernet TCP/IP
- 2x Ethernet
- 2x PROFINET IO
- 2x EtherCAT
- 2x POWERLINK
- 2X SERCOS III

The **TLM8** displays graphically the load cells response signal in mV for each active channel.

